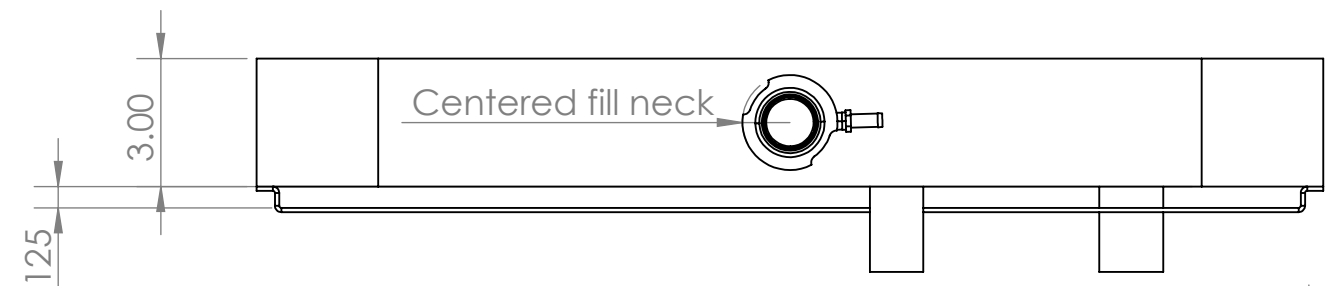


4

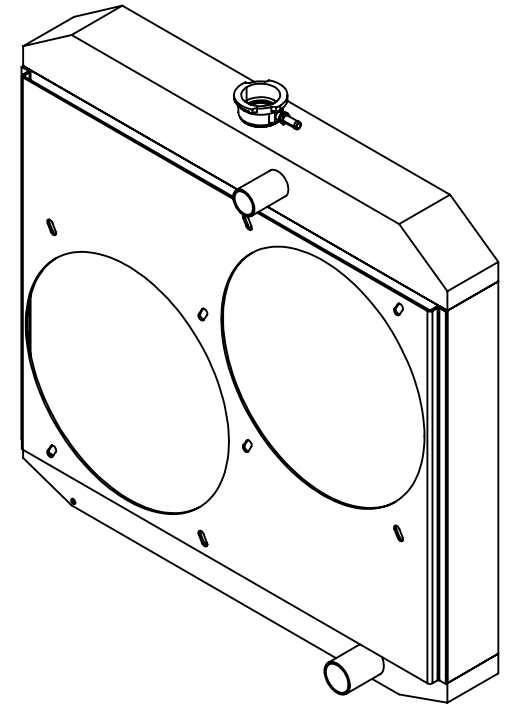
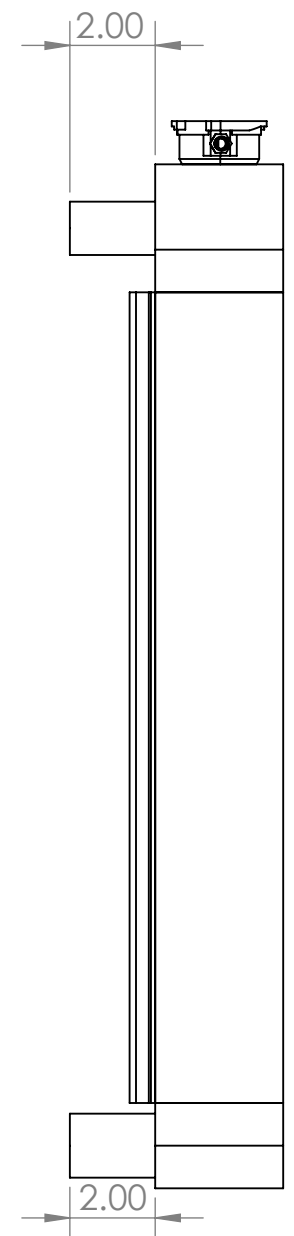
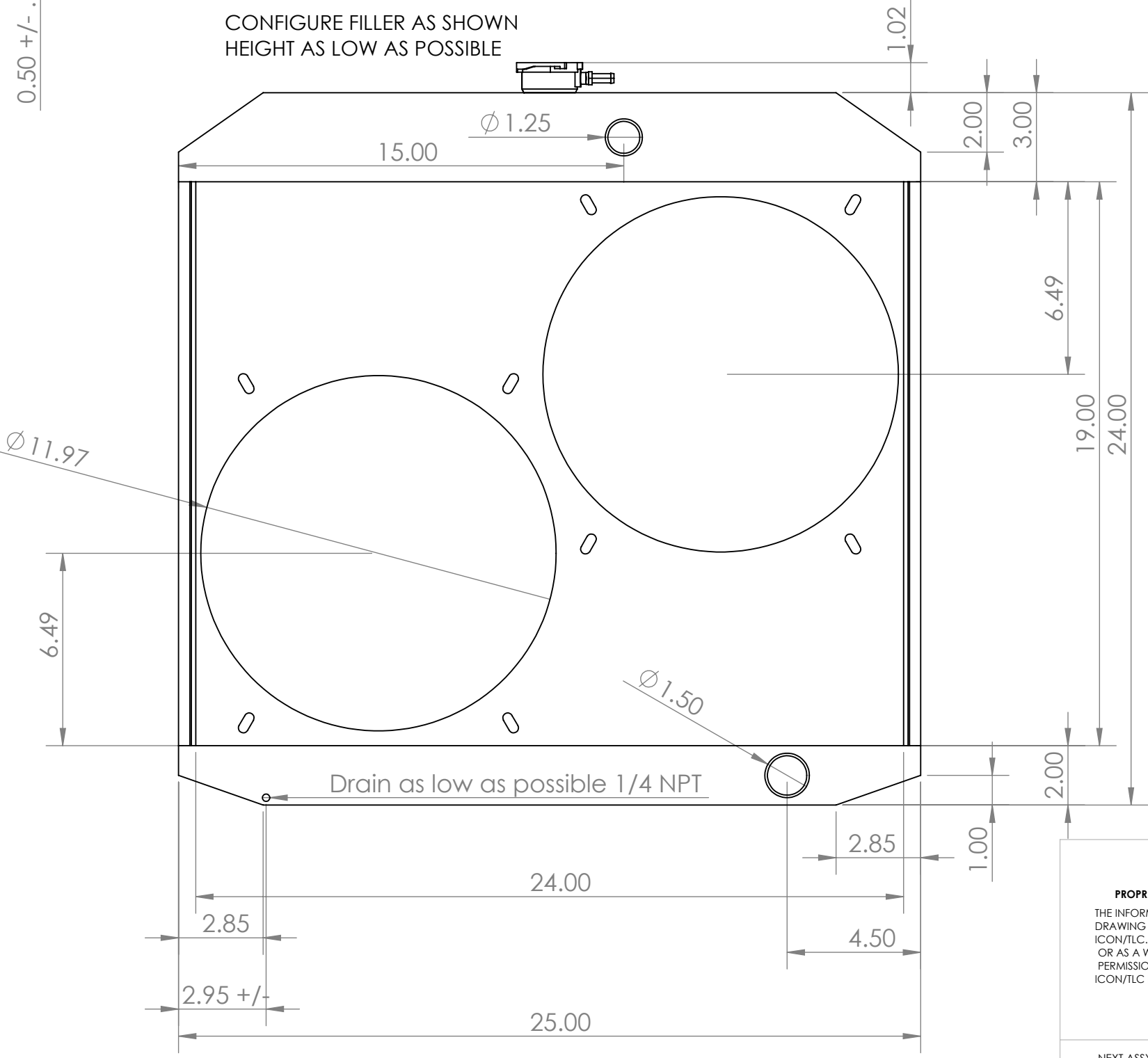
3

2

1



CONFIGURE FILLER AS SHOWN
HEIGHT AS LOW AS POSSIBLE




Notes:
ENGINE SIDE SHOWN
ELECTRIC FAN - SPAL VA03-AP90/LL-68A
EXACT PLACEMENT OF FANS TBD BY MANUFACTURER,
CONFIGURE AS SHOWN

B

B

A

A

<p>PROPRIETARY AND CONFIDENTIAL THE INFORMATION CONTAINED IN THIS DRAWING IS THE SOLE PROPERTY OF ICON/TLC. ANY REPRODUCTION IN PART OR AS A WHOLE WITHOUT THE WRITTEN PERMISSION OF ICON/TLC IS PROHIBITED.</p>		UNLESS OTHERWISE SPECIFIED:		NAME	DATE	
		<p>DIMENSIONS ARE IN INCHES TOLERANCES: FRACTIONAL ±1/32 ANGULAR: MACH±1° BEND TWO PLACE DECIMAL ±.03 THREE PLACE DECIMAL ±.005</p>		DRAWN	AA	
<p>INTERPRET GEOMETRIC TOLERANCING PER: ASME Y14.5</p>		MATERIAL		CHECKED		<p>TITLE: Mercedes benz radiator</p>
		Aluminum		ENG APPR.		
NEXT ASSY		USED ON		MFG APPR.		<p>SIZE DWG. NO. REV B N/A</p>
APPLICATION		DO NOT SCALE DRAWING		Q.A.		
				COMMENTS:		<p>SCALE: 1:8 WEIGHT: SHEET 1 OF 1</p>
				Exact fan placement TBD by manufacturer, but configure as shown		

4

3

2

1