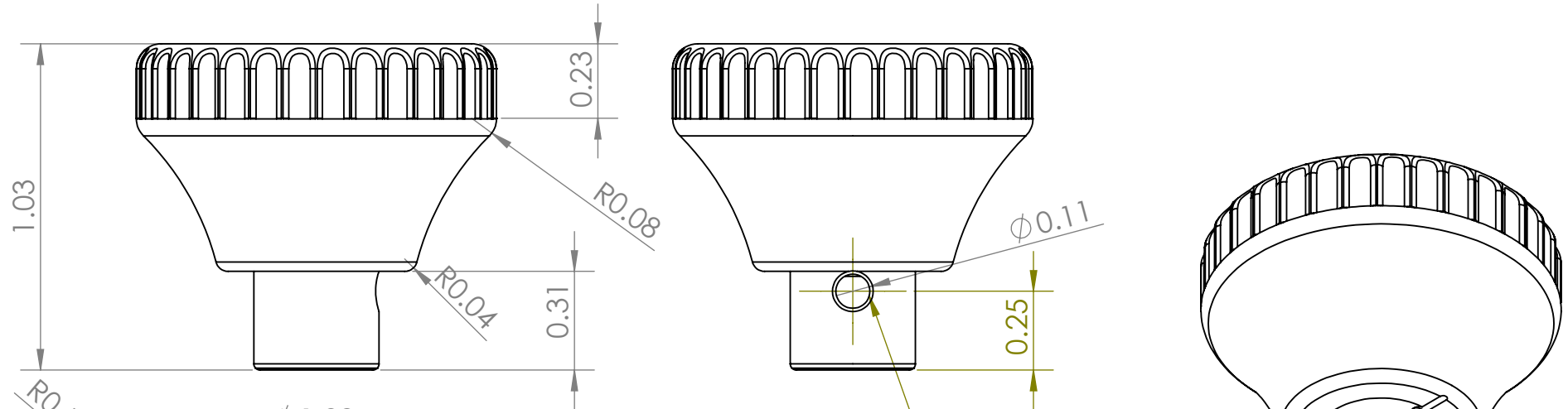


6 5 4 3 2 1

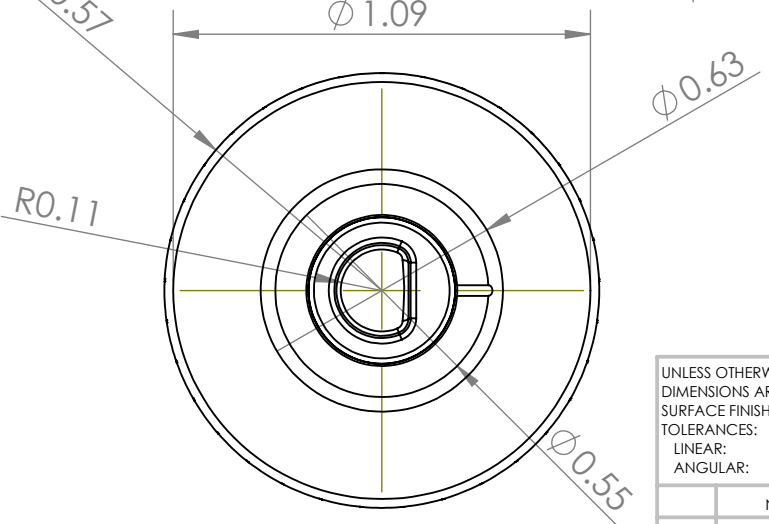
D

D



C

C



B

B

SCALE: 2:1 QUANTITY: 1

UNLESS OTHERWISE SPECIFIED: DIMENSIONS ARE IN MILLIMETERS SURFACE FINISH: TOLERANCES: LINEAR: ANGULAR:			FINISH:  1000 GRID		DEBURR AND BREAK SHARP EDGES		DO NOT SCALE DRAWING		REVISION		
DRAWN TB			SIGNATURE		DATE 3/2/21		TITLE:  VOLUME AND BASS TOP KNOB				
CHK'D							MATERIAL:  ALUMINUM				
APPV'D											
MFG							DWG NO.  VER. 1				
Q.A							SCALE:2:1				
							SHEET 1 OF 1				

MISSING GEOMETRY PLEASE PULL FROM 3D FILE

A4

6 5 4 3 2 1

A

A