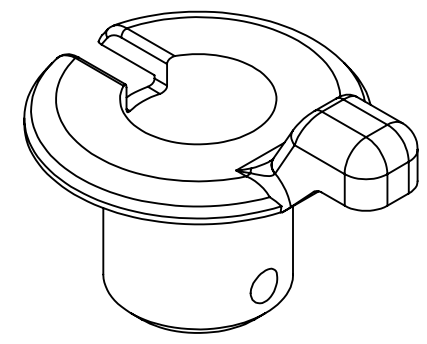
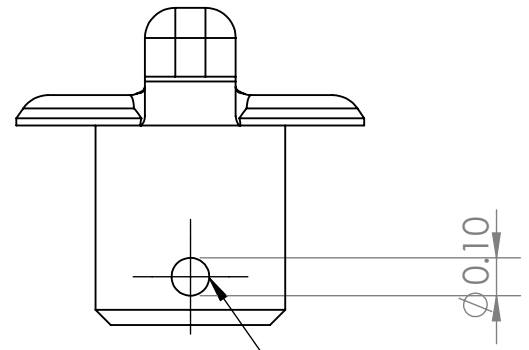
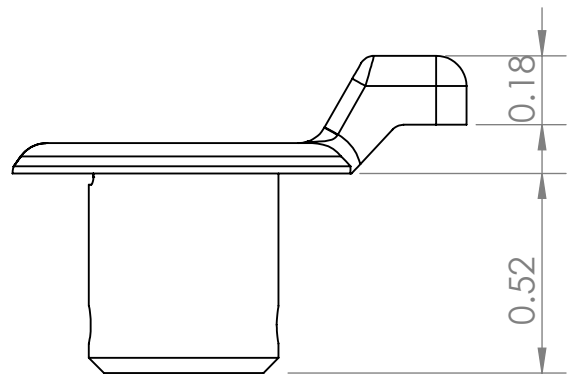


6 5 4 3 2 1

D

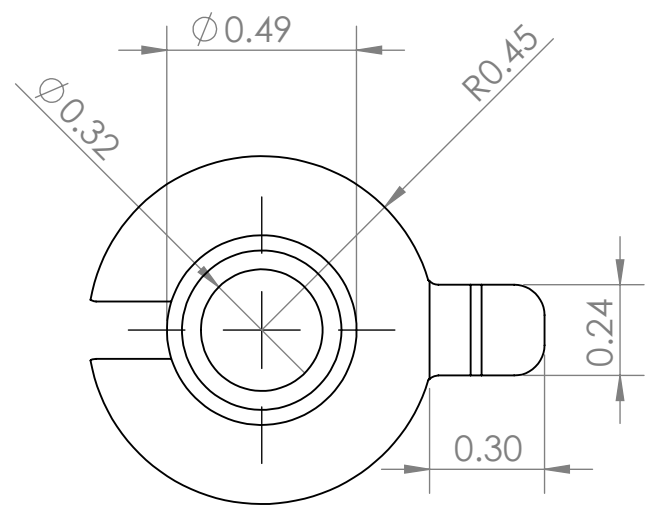
D



THREAD TO M3 X 0.5

C

C



SCALE: 2:1

QUANTITY: 1

B

B

UNLESS OTHERWISE SPECIFIED: DIMENSIONS ARE IN MILLIMETERS SURFACE FINISH: TOLERANCES: LINEAR: ANGULAR:			FINISH: 1000 GRID		DEBURR AND BREAK SHARP EDGES		DO NOT SCALE DRAWING		REVISION		
DRAWN TB			SIGNATURE		DATE 3/2/21		TITLE: VOLUME AND BASS KNOB BASS RING				
CHK'D							DWG NO. VER. 1				
APPV'D											
MFG							A4				
Q.A											
					MATERIAL: ALUMINUM		SCALE:2:1				
					WEIGHT:		SHEET 1 OF 1				

MISSING GEOMETRY PLEASE
PULL FROM 3D FILE

A

A

6 5 4 3 2 1