

6

5

4

3

2

1

D

D

C

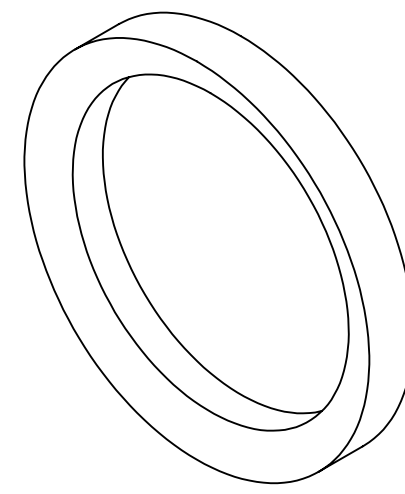
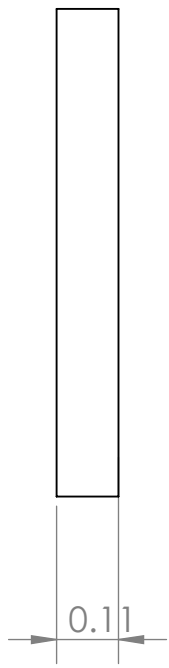
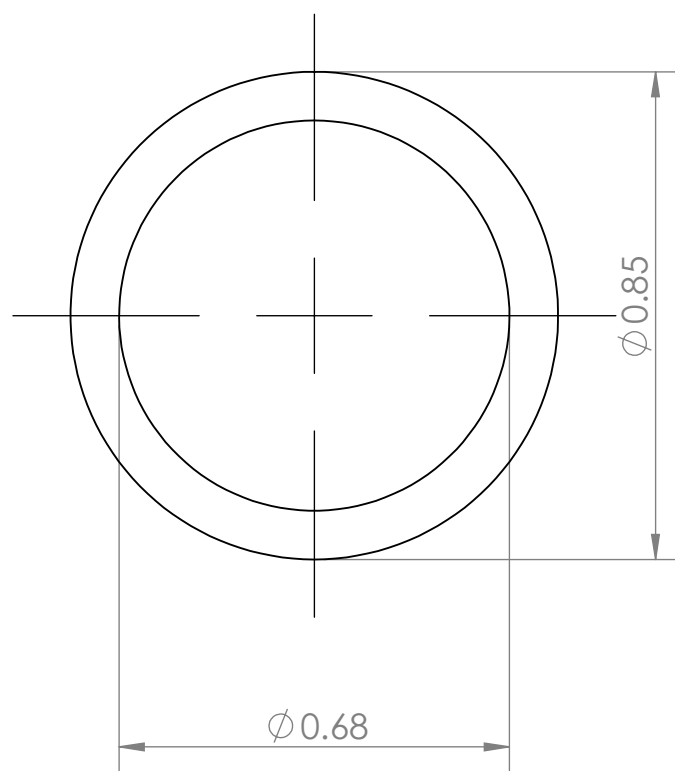
C

B

B

A

A



SCALE: 3:1

QUANTITY: 2

MISSING GEOMETRY PLEASE PULL FROM 3D FILE

UNLESS OTHERWISE SPECIFIED: DIMENSIONS ARE IN MILLIMETERS SURFACE FINISH: TOLERANCES: LINEAR: ANGULAR:				FINISH: POLISHED		DEBURR AND BREAK SHARP EDGES		DO NOT SCALE DRAWING		REVISION	
DRAWN TB				SIGNATURE		DATE 3/3/21		TITLE: VOLUME AND BASS BEAUTY RING			
CHK'D											
APPV'D											
MFG											
Q.A						MATERIAL: STAINLESS STEEL		DWG NO. VER. 1		A4	
						WEIGHT:		SCALE:2:1		SHEET 1 OF 1	