

6 5 4 3 2 1

D

D

C

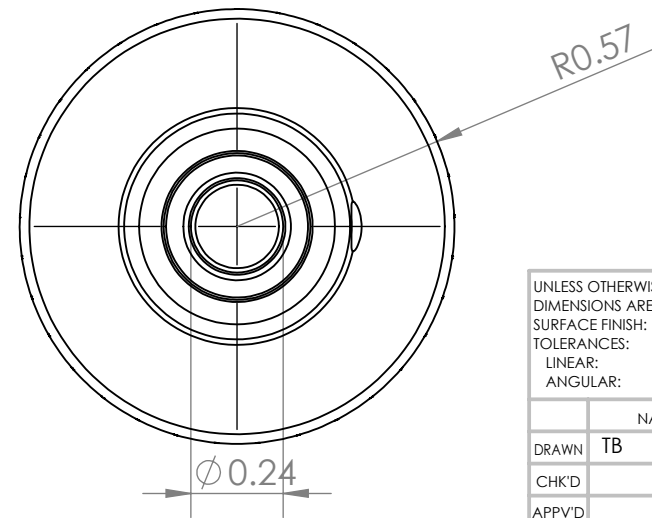
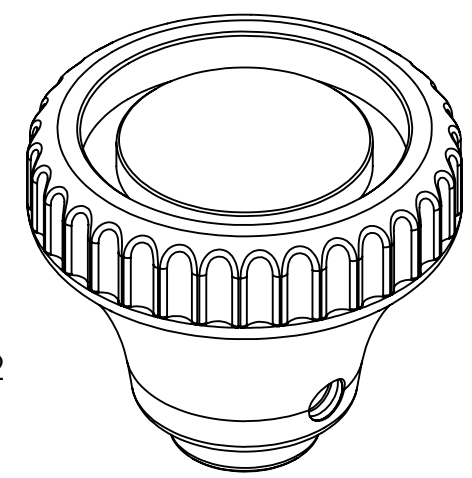
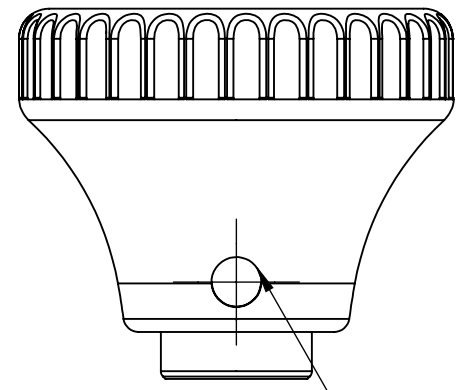
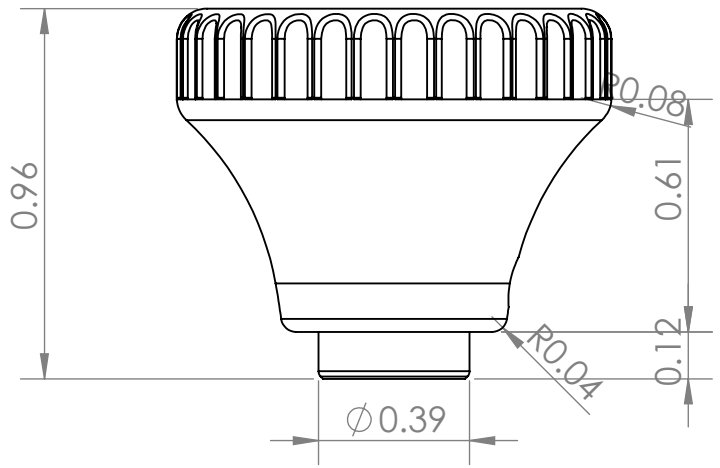
C

B

B

A

A



SCAL: 2:1

QUANTITY: 1

MISSING GEOMETRY PLEASE PULL FROM D FILE

UNLESS OTHERWISE SPECIFIED: DIMENSIONS ARE IN MILLIMETERS SURFACE FINISH: TOLERANCES: LINEAR: ANGULAR:				FINISH: 1000 GRID		DEBURR AND BREAK SHARP EDGES		DO NOT SCALE DRAWING		REVISION	
DRAWN TB				SIGNATURE		DATE 3/3/21		TITLE: RADIO SECOND KNOB			
CHK'D								DWG NO. VER. 1			
APPV'D											
MFG								SCALE:2:1			
Q.A											
MATERIAL: ALUMINUM						SHEET 1 OF 1					
WEIGHT:											

6 5 4 3 2 1