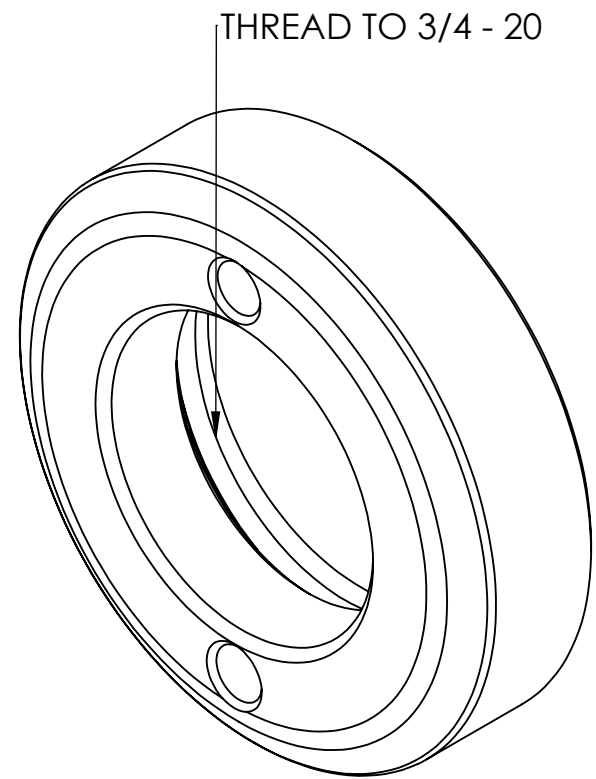
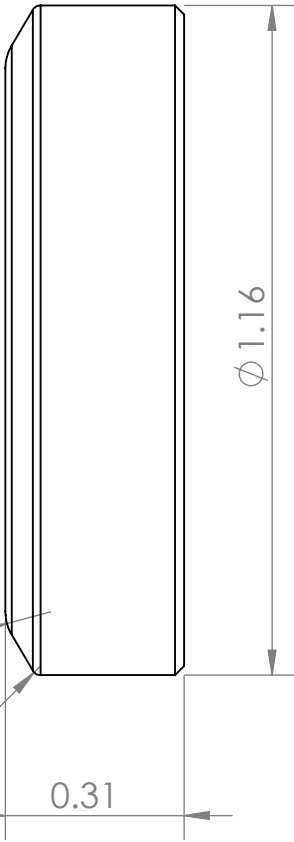
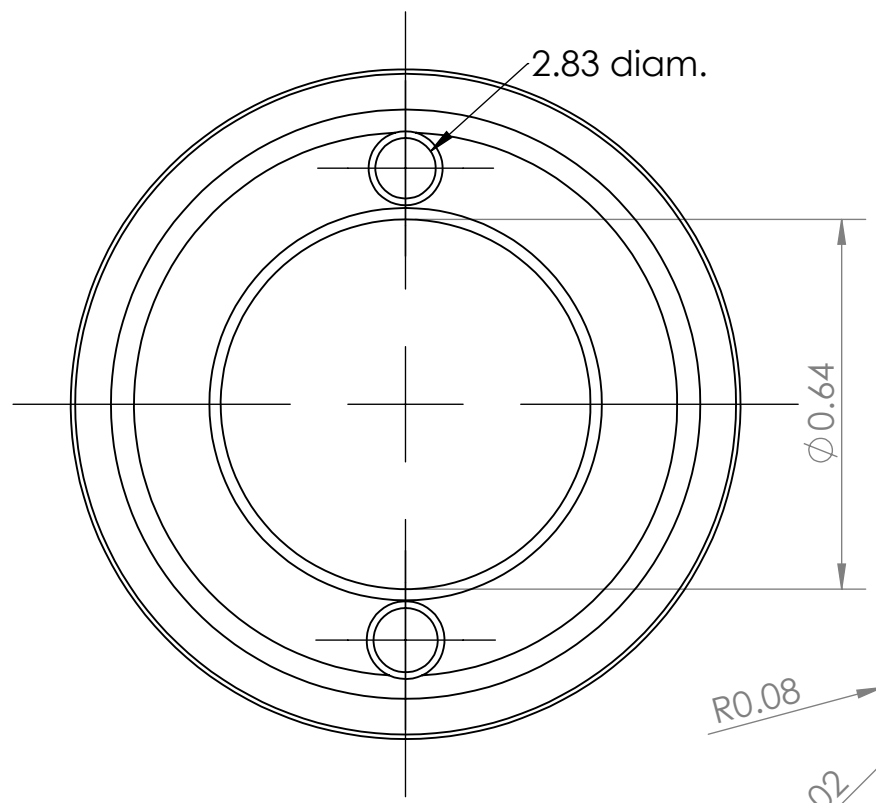


6 5 4 3 2 1

D
C
B
A

D
C
B
A



MISSING GEOMETRY PLEASE PULL FROM 3D FILE

UNLESS OTHERWISE SPECIFIED: DIMENSIONS ARE IN MILLIMETERS SURFACE FINISH: TOLERANCES: LINEAR: ANGULAR:				FINISH: HIGHLY POLISHED		DEBURR AND BREAK SHARP EDGES		DO NOT SCALE DRAWING		REVISION	
DRAWN TB				SIGNATURE		DATE 12/1/20		TITLE: MERCEDES STARTER NUT			
CHK'D								VER. 1			
APPV'D								DWG NO.			
MFG								A4			
Q.A						MATERIAL: STAINLESS STEEL		SCALE:2:1			
						WEIGHT:		SHEET 1 OF 1			

6 5 4 3 2 1