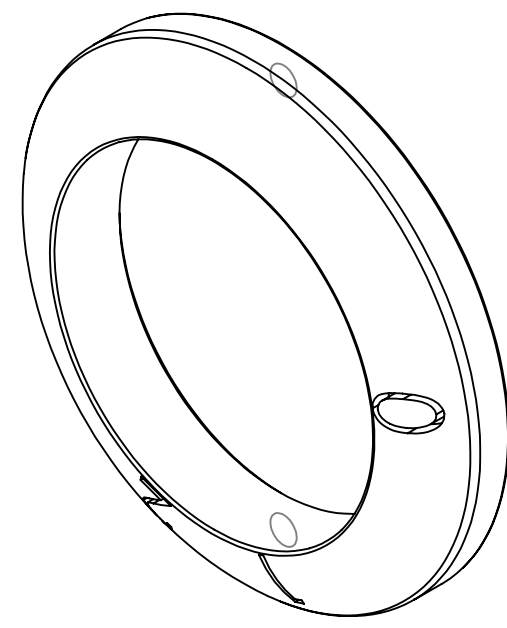
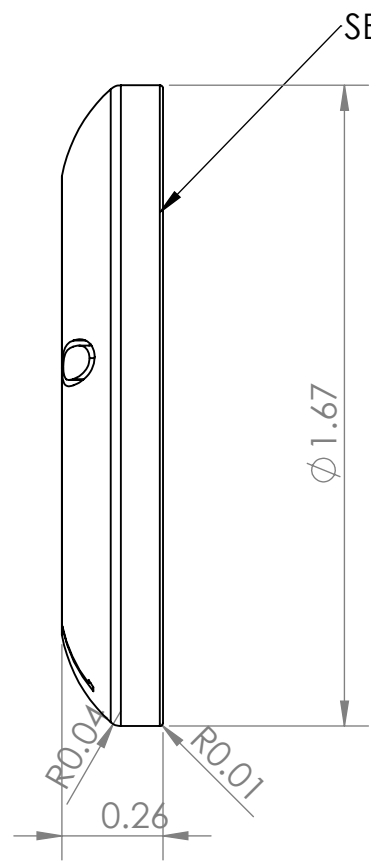
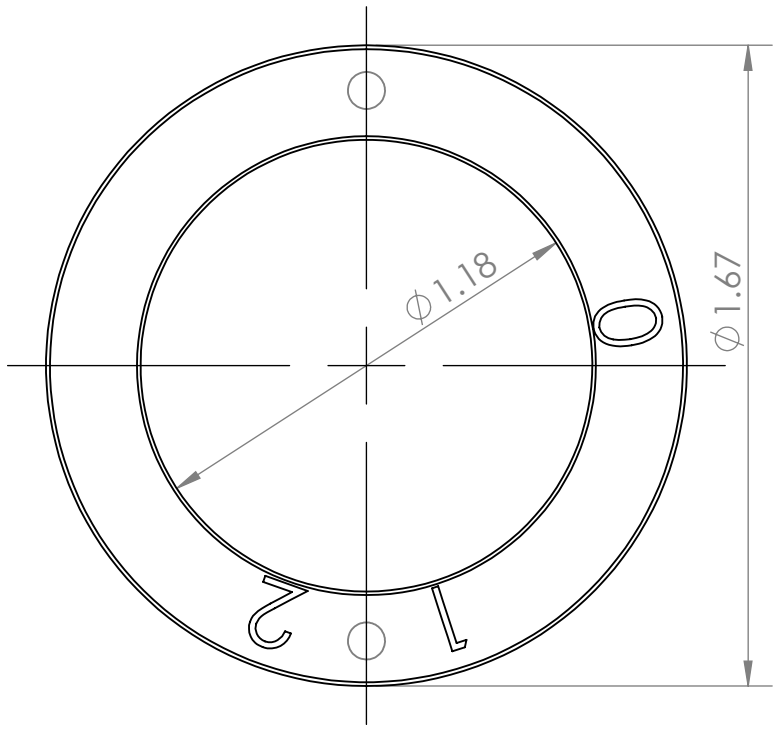


6 5 4 3 2 1

D  
C  
B  
A

D  
C  
B  
A



SET SCREWS TAP TO 4-40

SCALE: 2:1

QUANTITY: 1

CLEAN AND DEBURR  
MISSING GEOMETRY PLEASE PULL  
FROM 3D FILE

UNLESS OTHERWISE SPECIFIED: DIMENSIONS ARE IN MILLIMETERS		FINISH: <b>HIGHLY POLISHED AND BLACK INFILL</b>		DEBURR AND BREAK SHARP EDGES		DO NOT SCALE DRAWING		REVISION	
SURFACE FINISH:									
TOLERANCES:									
LINEAR:									
ANGULAR:									
DRAWN	NAME	SIGNATURE	DATE			TITLE:			
TB			3/5/21			MERCEDES STARTER BEZEL			
CHK'D									
APPV'D									
MFG									
Q.A						MATERIAL:		DWG NO.	
						STAINLESS STEEL		VER. 1	
								A4	
						SCALE:1:1		SHEET 1 OF 1	

6 5 4 3 2 1