

6 5 4 3 2 1

D

C

B

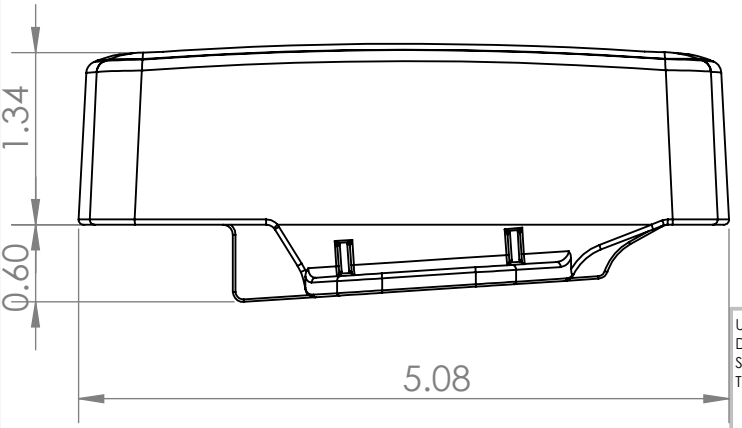
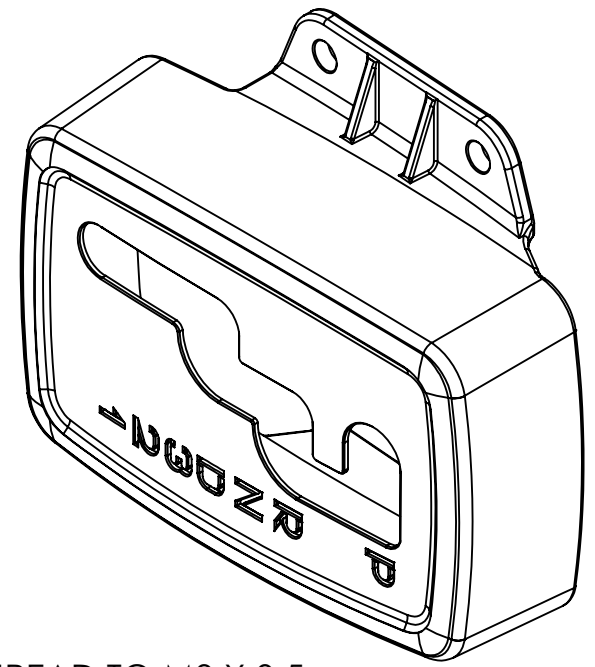
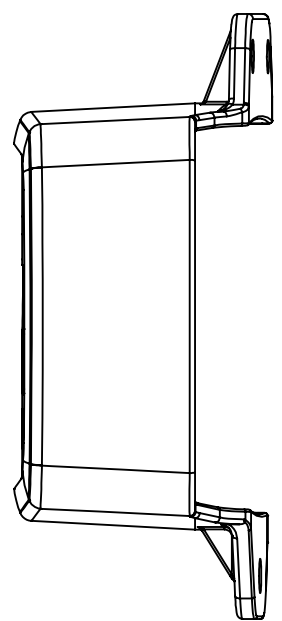
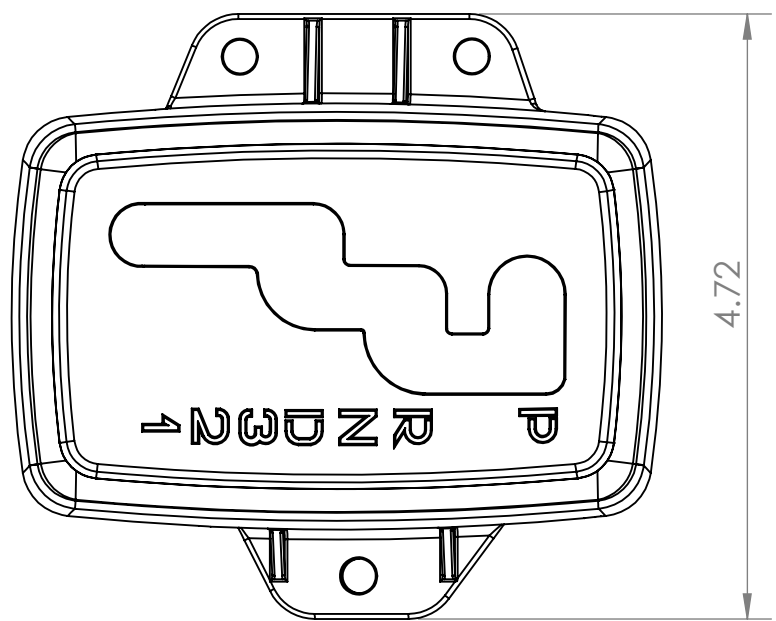
A

D

C

B

A



ALL INSIDE SHORT STUDS PLEASE THREAD TO M3 X 0.5

QUANTITY: 1

UNLESS OTHERWISE SPECIFIED: DIMENSIONS ARE IN MILLIMETERS SURFACE FINISH: TOLERANCES: LINEAR: ANGULAR:			FINISH: 1000 GRID		DEBURR AND BREAK SHARP EDGES		DO NOT SCALE DRAWING		REVISION		
DRAWN TB			SIGNATURE		DATE 2/18/21		TITLE: MERCEDES SHIFTER CASING BOTTOM				
CHK'D							MATERIAL: ALUMINUM				
APPV'D											
MFG											
Q.A							DWG NO. VER. 1				A4
					WEIGHT:		SCALE:1:2				SHEET 1 OF 1

MISSING GEOMETRY PLEASE PULL FROM 3D FILE

6 5 4 3 2 1